

Part II 第二部份 Booth Size & Options 展台面積及類別

Booth Options 展台類別		Price (US\$) 租金 (美元)	No. of Booth(s) 展台數目	Booth Service Fee 展台服務費
"Global Filming Support" Zone Furnished Promotion Counters 「環球拍攝支援」專區 推廣櫃枱	3 sq.m 3 平方米	US\$1,100	x	US\$

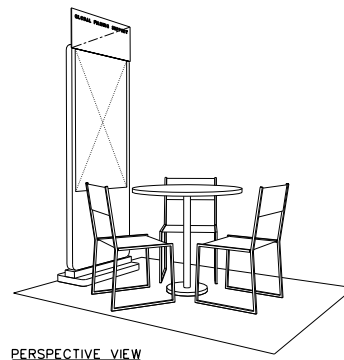
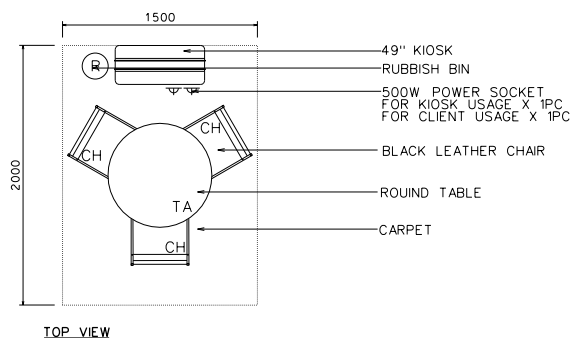
Remarks 備註：

- Priority will be given to applicants with products that directly relate to the industry of the fair. 展品與是次展覽的行業有直接關連的申請公司將獲優先處理。
- Whether an application will be accepted depends on a number of factors, including space availability. Allocation of exhibition space and location will be at the discretion of the Organiser. All space and location requested are subject to the Organiser's written confirmation. 申請會否被接納取決於多種因素，包括可供使用空間的情況。主辦機構有權分配展覽面積及位置。主辦機構將就展覽面積及位置分配安排作書面通知。
- The participation fee stipulated on the application form should not be regarded as the final fee payable by the Exhibitor. The final fee is subject to the confirmation by the Organiser. 申請表格上列出之參展費並不代表參展商應繳付的最終費用。最終參展費由主辦機構決定。
- In case of over subscription of space, applicants will be placed on a waiting list and will be notified accordingly. Applicants on the waiting list will be prioritised according to the dates of the applications and the history of participation. 在超額申請使用攤位的情況下，申請會被列入輪候名單並據此接獲通知。在輪候名單上的申請會按遞交申請日期及過往參與記錄順序處理。
- The booth design of Custom-built Participation exhibitors are subject to the approval of the Organiser. 主辦機構有權審批特裝參展參展商之攤位設計。

Counter Layout and Facilities

(Subject to changes)

3 sq.m Promotion Counter (2M X 1.5 M)



Part III 第三部份 Product Listing in the Fair Catalogue 產品索引

Please tick at least ONE item which your company wishes to be listed from below.

請於下列已標示類別內選擇最少一個項目。所有資料將同時用於展覽會場刊內，以供買家查閱。

Film & TV 電影及電視

- Archive Footage 影片庫
- Artist Management 藝人公司
- Cinema Operator 電影院營運
- Content for Various Media (Excl. Mobile Phone)
各大媒體內容創作 (手機內容除外)
- Co-production 合拍片
- Documentary Distribution 紀錄片發行
- Documentary Film Production 紀錄片製作
- Documentary Financing / Fund 紀錄片融資 / 基金
- Event Organisation 活動籌劃
- Film Commission 電影局 / 電影委員會
- Film Distribution 電影發行
- Film Financing / Films Fund 電影融資 / 電影基金
- Film Production Management 電影製作管理
- Internet Content Provider 互聯網內容供應商
- Franchising & Licensing 特許經營及授權
- Post-production 後期製作
- Pre-production 前期製作
- Sales Agent (Content for Various Media)
內容銷售代理 (包括各大媒體)
- Television Broadcasting 電視廣播
- TV Program Distribution 電視節目發行
- TV Program Production 電視節目製作
- Association Service & Government Organisation
商會服務及政府機構
- Video Products Distribution 視像產品發行

Please Complete Part IV
請完成第四部份

Digital Entertainment 數碼娛樂

(Please Complete Part IV 請完成第四部份)

- Animation Production 動畫片製作
- Arcade Gaming Design 街機, 框體機遊戲軟體設計
- Augmented Reality Technology 擴增實境技術
- Computer Graphic / Multimedia Design 電腦繪圖 / 多媒體設計
- Digital Effects for Film, TV & Advertisement 電影、電視及廣告數碼效果
- Digital Entertainment 數碼娛樂
- Mobile Content 手機內容
- Mobile Gaming 手機遊戲
- Online Gaming (Excluding Mobile Game) 網上遊戲 (手機遊戲除外)
- PC Game 電腦遊戲
- Video Games 電腦遊戲
- Virtual Reality Technology 虛擬實境技術

Documentary 紀錄片

- Documentary Distribution 紀錄片發行
- Documentary Film Production 紀錄片製作
- Documentary Financing / Fund 紀錄片融資 / 基金

Equipment and Post Production Services

影視器材及後期製作服務

- Digital Camera 數碼攝影機
- Film / Multimedia Production Equipment Rental
電影 / 多媒體製作器材租賃

Global Filming Support 環球拍攝支援

- Film Commission / Film Offices 電影局 / 電影委員會
- Film Shooting Locations 電影拍攝場地

Part IV 第四部份 Thematic Features 主題項目 (Optional 可選擇參與)

TV World 電視世界

I would like to join TV World and enjoy the benefits of 本公司欲參與「電視世界」並享受以下優惠：

- Free listing in the TV World category of FILMART Directory 免費刊載公司資料於「香港國際影視展」之場刊內的「電視世界」系列
- Free TV World logo placement on booth fascia 免費將「電視世界」之標誌放於展台名牌上

Animation & Digital Entertainment World 動畫及數碼娛樂世界

I would like to join Animation & Digital Entertainment World and enjoy the benefits of 本公司欲參與「動畫及數碼娛樂世界」並享受以下優惠：

- Free listing in the Animation & Digital Entertainment World category of FILMART Directory 免費刊載公司資料於「香港國際影視展」之場刊內的「動畫及數碼娛樂」世界系列
- Free Animation & Digital Entertainment World logo placement on booth fascia 免費將「動畫及數碼娛樂世界」之標誌放於展台名牌上

Doc World 紀錄片世界

I would like to join Doc World and enjoy the benefits of 本公司欲參與「紀錄片世界」並享受以下優惠：

- Free listing in the Doc World category of FILMART Directory 免費刊載公司資料於「香港國際影視展」之場刊內的「紀錄片世界」系列
- Free Doc World logo placement on booth fascia 免費將「紀錄片世界」之標誌放於展台名牌上

Part V 第五部份 Participation Fee and Payment Method 參展費及付款方式

Booth Service Fee 展台服務費	US\$ 美元
Total 總額	

PAYMENT METHOD 付款方式

- Pay by Credit Card 信用卡付款

Card Type 信用卡類別 (please mark with ✓)

- Visa MasterCard

Name of Cardholder 持卡人姓名：_____

Card Number 信用卡號碼：_____

US\$ 美元：_____ Card Expiry Date 有效日期至：_____

Signature 簽名：_____

- Remit by telegraphic transfer the sum of US\$ _____ through _____ (Name of Bank) on _____ (Date)

to Hong Kong Trade Development Council, US\$ Account Number 006-391-17819652,

Bank Name: Citibank, N.A.

Bank Address: Citibank Tower, Citibank Plaza, 3 Garden Road, Hong Kong

Swift Code: CITIHKHX

All remittance charges are to be borne by the participating company.

已於 _____ (日期) 透過 _____ (銀行名稱)

電匯美元 _____ 予香港貿易發展局於花旗銀行香港分行之美元戶口 006-391-17819652。

有關匯款之銀行收費需由申請人負責。

Applications will only be considered upon receipt of the completed form with full payment. 如未能呈交參展費全數之申請將恕不受理。

Have you Included the following details? 你是否提供以下資料

- Completed Application Form with Signature on Page 3 (Part VI) 填妥之參加表格及於第三頁(第六部份)簽署
- Copy of Business Registration 商業登記證副本

Please return all application materials to:

Hong Kong Trade Development Council
Service Promotion Department
38/F, Office Tower, Convention Plaza,
1 Harbour Road, Wan Chai, Hong Kong
Tel: (852) 2584 4333 Fax: (852) 2824 0249
E-mail: filmart@hktcdc.org
Fair website: http://hktcdc.com/hkfilmart

Attn: HKTDC Hong Kong International Film & TV Market 2018

請將所有參展資料交回：

香港貿易發展局
服務業拓展部
香港灣仔港灣道一號
會展廣場辦公大樓 38 樓
電話：(852) 2584 4333 傳真：(852) 2824 0249
電子郵件：filmart@hktcdc.org
展覽網頁：http://hktcdc.com/hkfilmart
請註明「香港國際影視展 2018」

Part VI 第六部份 Company Stamp and Signature 公司印鑑及簽名

We (Name of Company) _____
本公司 (公司名稱)

hereby apply for joining HKTDC Hong Kong International Film & TV Market (FILMART 2018). We agree to abide by the 'Terms of application and Exhibition Rules & Regulations' and the 'Terms & Conditions for Official Fair Magazines / Online Promotions' (http://m.hktdc.com/fair/hkfilmart-en/s/4113-For_Exhibitor/Hong-Kong-International-Film---TV-Market-FILMART-Rules-&-Regulations.html) set out by the Organiser. We agree that the above information may be used by the Hong Kong Trade Development Council for incorporation in all or any of its database for business matching (and may therefore become available to the public within and/or outside of Hong Kong for use by them), and for any other purposes as stated in the Privacy Policy Statement. We confirm that we have the consent of each individual's name in this form to release their personal data for the purposes stated herein. The Organiser can on-pass our information to third parties for promotion of HKTDC Hong Kong International Film & TV Market (FILMART 2018). We accept that the Organiser bears no responsibility for any error or omission.

In consideration of HKTDC's publication of the photographs and/or materials provided by us, we hereby warrant, represent and undertake to the Organiser that the photographs and/or materials provided by us do not in any way whatsoever violate or infringe any third party's rights including all intellectual property rights including but not limited to trade marks, copyright, designs, names and patents whether registered or otherwise. We hereby acknowledge and irrevocably undertake to fully indemnify the Organiser and/or its agents, representatives, contractors and employees against all costs, expenses and damages arising from any third party's claim of infringement by us and/or the Organiser and/or the Organiser's agents, representatives, contractors or employees of such third party's rights.

申請參加香港貿發局香港國際影視展 2018，並同意遵守主辦機構訂定的申請條款、展覽會規則及大會指定產品雜誌、網上推廣計劃之條款及細則 (http://m.hktdc.com/fair/hkfilmart-en/s/4113-For_Exhibitor/Hong-Kong-International-Film---TV-Market-FILMART-Rules-&-Regulations.html)。本公司同意香港貿發局可將上述資料編入其全部或任何資料庫內作為商貿配對 (因而可能成為可供本地及 / 或海外公眾人士使用)，以及用於香港貿發局在私隱政策聲明中所述之其他用途。本公司確認已獲得此表格上所述人士同意，將其個人資料提供予香港貿發局。同時，香港貿發局亦可將上述資料轉交其他機構，作為推廣香港貿發局香港國際影視展 2018 之用。本公司同意，上述資料如有錯漏，主辦機構毋須負責。

我們在此向主辦機構保證、表示、及承諾，我們提供的相片及 / 或出版物沒有違反或者侵犯任何第三者的權利包括所有知識產權 (包括但不限於商標、版權、設計、名字和專利，無論是否註冊)。我們在此向主辦機構確認和不可撤銷地承諾，我們將完全彌償主辦機構及其代理人、代表人、承辦商和僱員就任何有關第三者向我們及 / 或主辦機構及其代理人、代表人、承辦商和僱員採取任何關於侵犯第三者權利的申索之所有費用、開支和賠償。

- If you do not wish to have your information on-passed to third parties for promotion of the HKTDC Hong Kong International Film & TV Market (FILMART 2018), please ✓ against the box.
- 倘若貴公司不欲將有關資料轉交其他機構作為推廣香港貿發局香港國際影視展 2018 之用，請在此空格內加上 ✓ 號。
- If you are from a member state of the European Union ("EU") / European Economic Area ("EEA"), please ✓ against the box if you accept our use of your provided data for direct marketing purposes.
(For non-EU/EEA customers, please skip this box which is solely for EU/EEA customers as required by the relevant data protection law in the EU.)
- 若閣下來自歐洲聯盟 ("歐盟") 或歐洲經濟區的成員國，並同意我們將閣下的資料用作進行直接推廣的用途，請於方格內加上 ✓ 號。
(此選項是按歐盟有關保護個人資料法律的要求而設，對於非歐盟 / 歐洲經濟區的客戶，請略過此項。)

Company Stamp & Authorised Signature: _____ Date: _____
公司印鑑及負責人簽名 日期

Name: _____ Position: _____
姓名 職位